

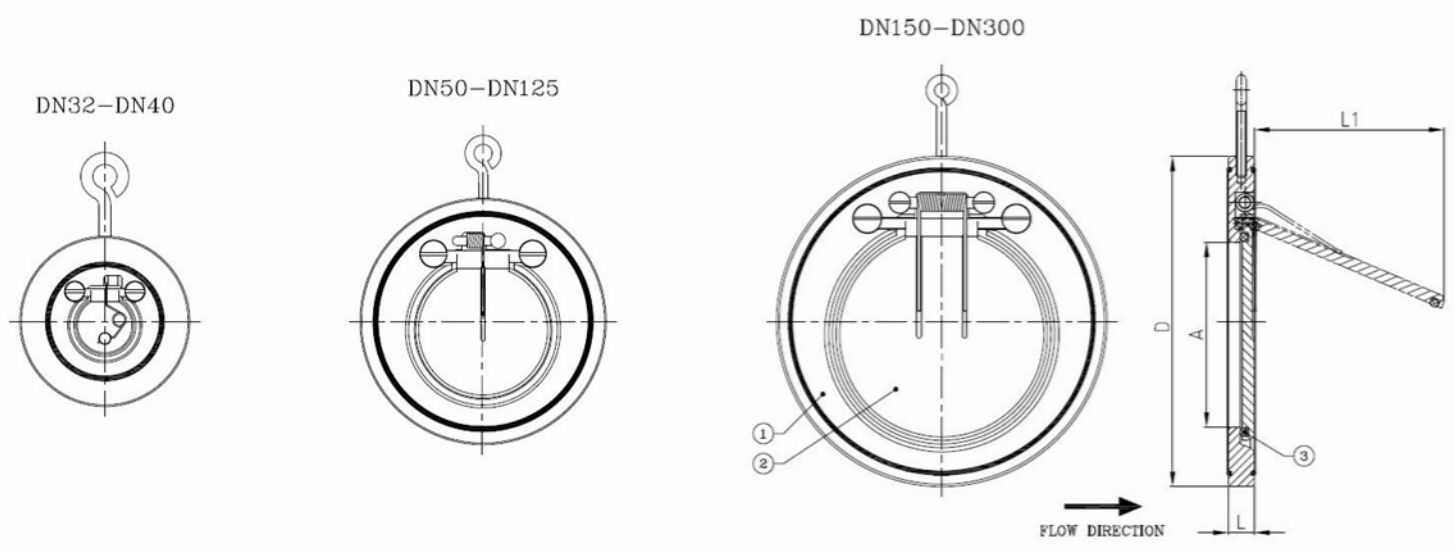
BV39-4545B-PN10/PN16

Wafer type swing check valve with spring, mounting between flanges PN10/16

Face to Face Standard: Factory standard



Item Number	Belven Ref
393055B0032	BV39-4545B-PN16-DN032
393055B0040	BV39-4545B-PN16-DN040
393055B0050	BV39-4545B-PN16-DN050
393055B0065	BV39-4545B-PN16-DN065
393055B0080	BV39-4545B-PN16-DN080
393055B0100	BV39-4545B-PN16-DN100
393055B0125	BV39-4545B-PN16-DN125
393055B0150	BV39-4545B-PN16-DN150
393055B0200	BV39-4545B-PN16-DN200



DN/Size	A	D	L	L1	Press.Cl.	Weight(kg)
DN32 (1 1/4")	18	85	15	22	PN16	0.60
DN40 (1 1/2")	22	95	16	25	PN16	0.80
DN50 (2")	32	109	14	37	PN16	0.90
DN65 (2 1/2")	40	129	14	50	PN16	1.20
DN80 (3")	54	144	14	61	PN16	1.50
DN100 (4")	70	164	18	77	PN16	2.40
DN125 (5")	92	195	18	98	PN16	3.30
DN150 (6")	112	220	20	120	PN16	4.60
DN200 (8")	154	275	22	160	PN16	7.70

Item 1	Item 2	Item 3
Body Material	Disc Material	Seat Material
Carbon steel : 1.0619 (WCB) zinc plated	Carbon steel : 1.0619 (WCB) zinc plated	NBR

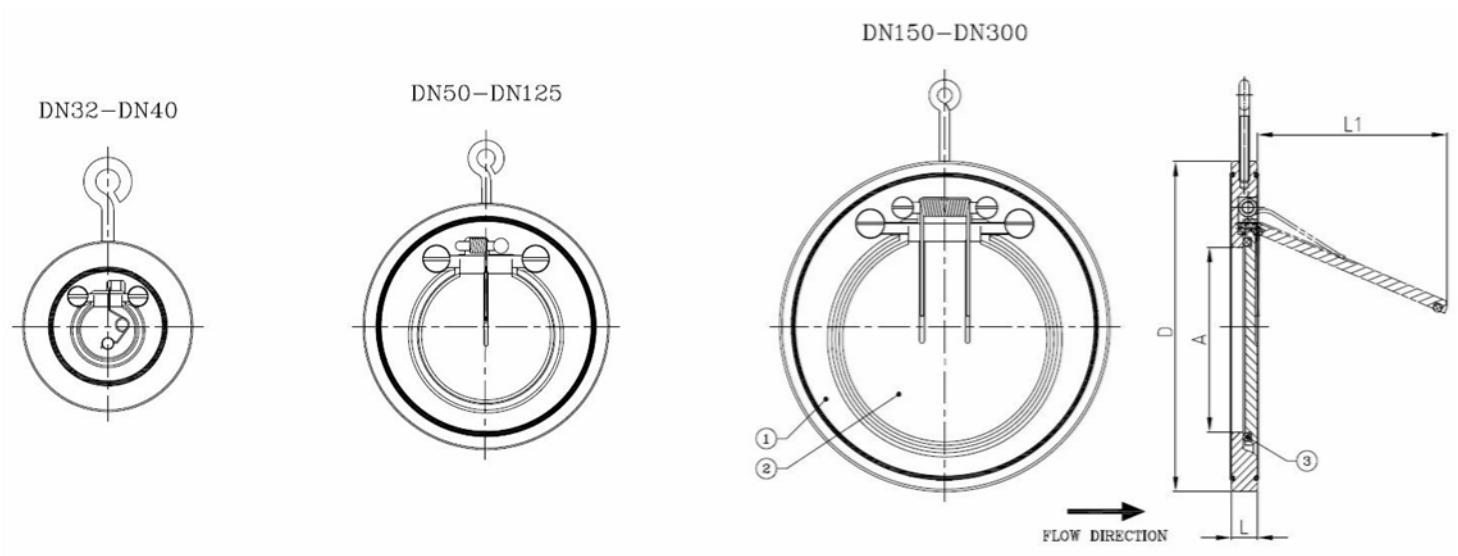
BV39-4545B-PN10

Wafer type swing check valve with spring, mounting between flanges PN10

Face to Face Standard: Factory standard



Item Number	Belven Ref
392055B0250	BV39-4545B-PN10-DN250
392055B0300	BV39-4545B-PN10-DN300



DN/Size	A	D	L	L1	Press.Cl.	Weight(kg)
DN250 (10")	192	330	26	190	PN10	12.60
DN300 (12")	227	380	32	220	PN10	20.50

Item 1	Item 2	Item 3
Body Material	Disc Material	Seat Material
Carbon steel : 1.0619 (WCB) zinc plated	Carbon steel : 1.0619 (WCB) zinc plated	NBR